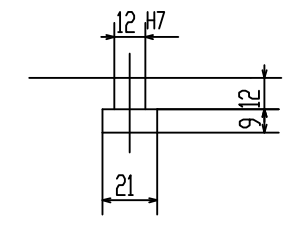
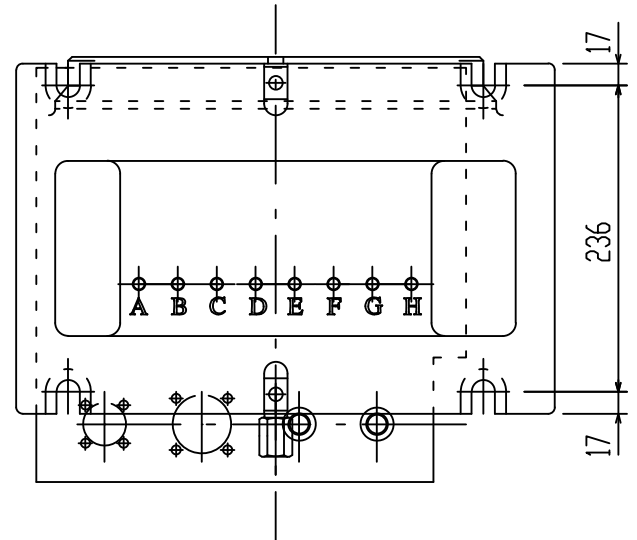
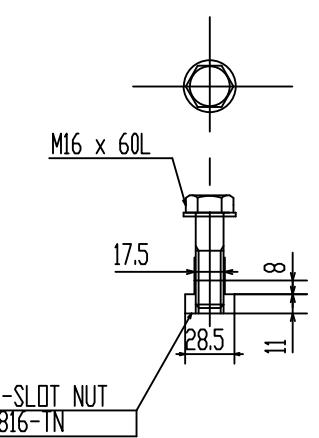


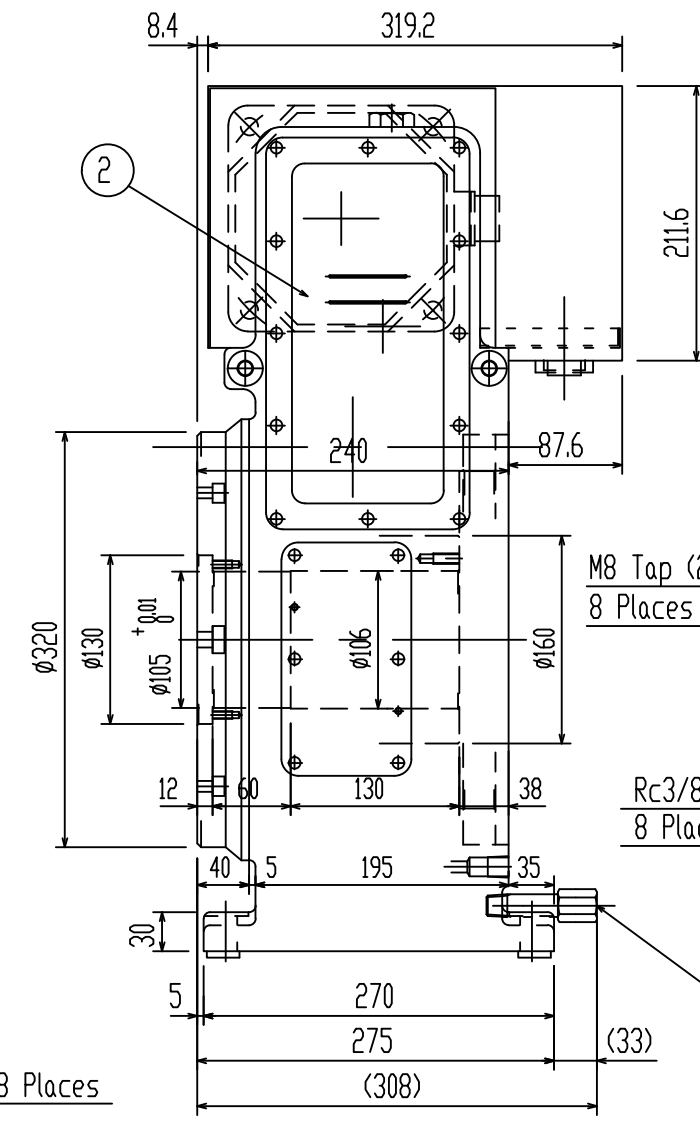
M6 Tap (15 Deep) 8 Places  
P. C. D. 116



DETAIL OF T-SLOT

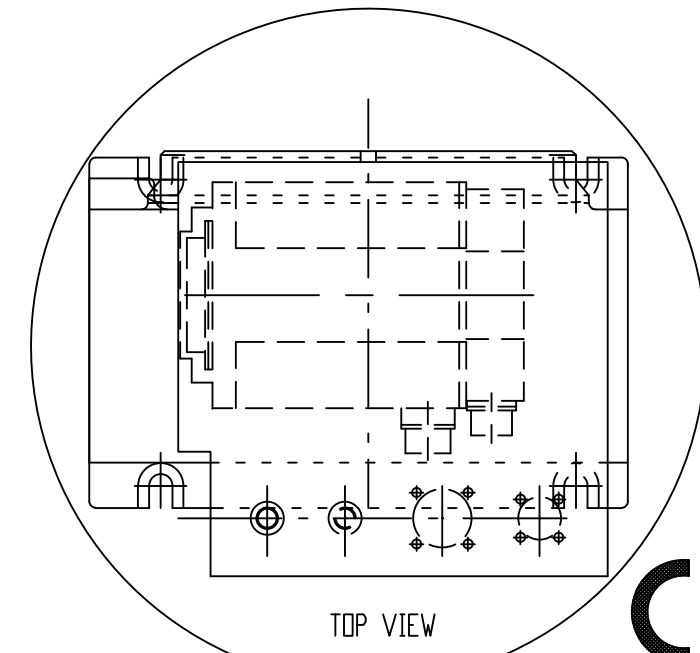
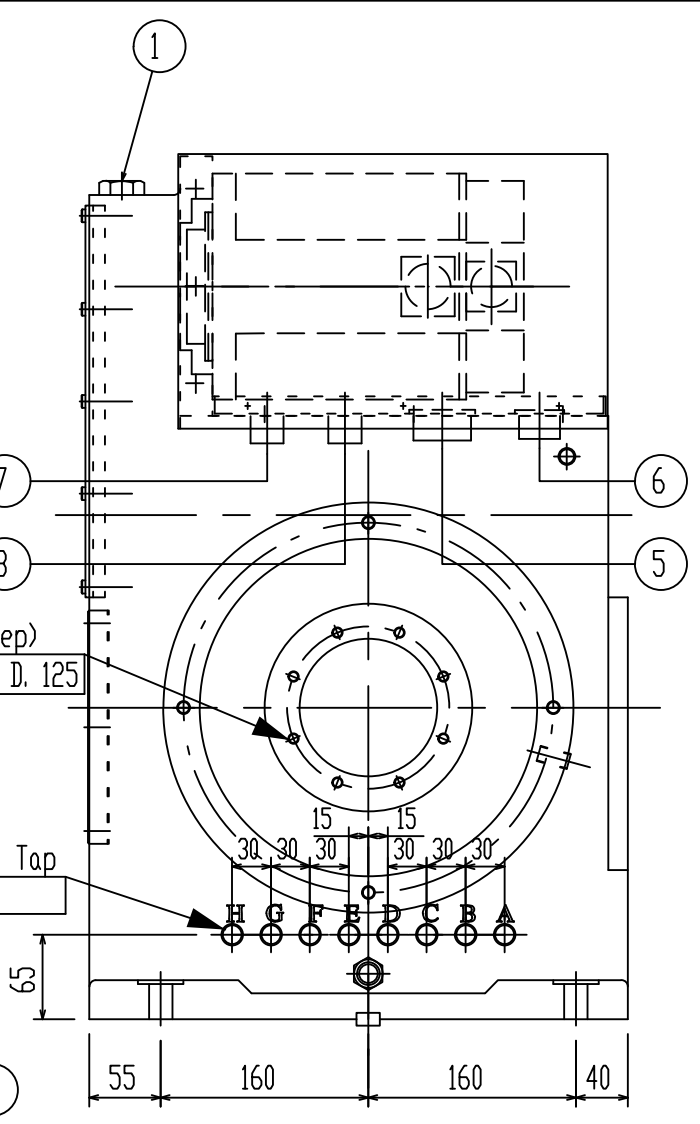


FITTING METAL (4 Sets)



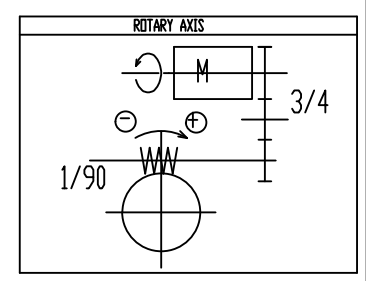
M8 Tap (20 Deep)  
8 Places P. C. D. 125

Rc3/8 Pipe Tap  
8 Places



TOP VIEW

SPECIFICATION	
DIAMETER OF TABLE	∅320 mm
DIAMETER OF SPINDLE HOLE	∅105 H7 mm
CENTER HEIGHT	240 mm
WIDTH OF T-SLOT	12 H7 mm
WIDTH OF GUIDE BLOCK	18 h7 mm
INDEXING ACCURACY	15 sec
CLAMPING METHOD	HYDRAULIC
CLAMPING TORQUE	180 kgf m
NET WEIGHT	220 kg
INERTIA AT MOTOR SHAFT	0.020 kg cm <sup>2</sup>
SERVO MOTOR	<b>FANUC AC α12</b>
PULSE CODER	65,536,PPR 1,000,000 PPR
TOTAL REDUCTION RATIO	1/120
ROTATION SPEED	12.5 rpm
MIN INCREMENT	0.001°
MAX LOAD (Vertical)	250 kg
MAX LOAD (Horizontal)	
MAX CUTTING THRUST	119 kgf m
MAX WORK INERTIA	82.0 kg cm <sup>2</sup>



KS-CN321T-01

1	OIL FILLING PORT	5	MOTOR POWER CABLE
2	SIGHT GLASS	6	FEEDBACK CABLE
3	OIL DRAIN	7	HYDRAULIC HOSE CONNECTION (UNCLAMP)
4	PROXIMITY SWITCH (DEC*)	8	HYDRAULIC HOSE CONNECTION (CLAMP)

This drawing owned by NIKKEN Kosakusho UK Ltd, is conditionally loaned and is to be returned or destroyed upon request. The borrower by receiving it has agreed :  
 i) Not to reproduce or copy information contained within, be it in whole or in part.  
 ii) Not to furnish information from it to others or to make use of it that is or maybe injurious to NIKKEN KOSAKUSHO UK LIMITED

DRAWN	DESIGNER	
DATE	DATE	
SCALE	SCALE	

T I T L E 1  
T I T L E 2



DRG No: NUMBER