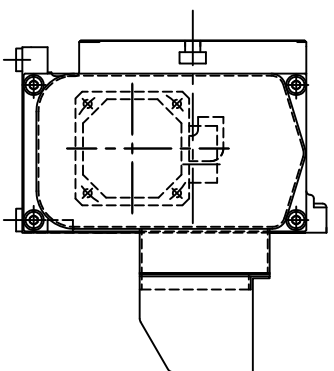


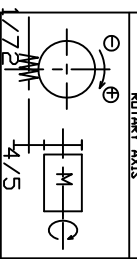
FITTING METAL (assets)
取付金属 (2セット)

A2 TYPE



PNEUMATIC PRESSURE
SUPPLY PORT RCI/4
空気用ポート-接続口

SPECIFICATION (仕様)	
DIAMETER OF TABLE	φ180mm
DIAMETER OF SPINDLE HOLE	φ60H7mm
CENTER HEIGHT	135mm
WIDTH OF T-SLOT	12H7mm
WIDTH OF GUIDE BLOCK	14H7mm
INDEXING ACCURACY	±20sec
CLAMPING METHOD	PNEUMATIC
CLAMPING TORQUE	31kgf・m 303N・m
NET WEIGHT	43kg
INERTIA AT MOTOR SHAFT	0.0008kg・cm・sec ²
CP/4	0.00008kg・m ²
SERVO MOTOR	PAWUC a2/5000!
TOTAL REDUCTION RATIO	1/90
ROTATION SPEED	22.2rpm 22.2min ⁻¹
MIN. INCREMENT	0.001°
MAX. LOAD (VELOCITY)	VER 100kg
MAX. LOAD (ACCELERATION)	HDR 200kg
MAX. CUTTING THRUST	42kgf・m 415N・m
MAX. WORK INERTIA	4kg・cm・sec ²
CP/4	0.4kg・m ²



DETAIL OF CENTER BORE
中心穴詳細



KS-CN180R-FA65

部品名	日付	訂正者	記	*	フィード
1					DRILL SUPPLY PORT FOR BODY
2					DRAIN PORT FOR BODY
3					DRILL GUIDE FOR BODY
4					SERVO MOTOR

MACHINE MAKER	TITLE	CUSTOMER
NIKKEN KOSAKUSHO WORKS, L.TD.	CNC ROTARY TABLE	
SCALE 1/3	DATE 2004.01.22	
DESIGNED FUJIMOTO	CHECKED YOSHIMOTO	APPROVED KOBAYASHI
DRG-NAME TCA-A3162/0		

NIKKEN KOSAKUSHO WORKS, L.TD. All Rights Reserved